



LMV-Series Mainline Gate Valves For IPS & DIN Plastic Pipe



LMV-SB (IPS) SERIES (SPIGOT X BELL)			
MODEL	SPIGOT	BELL	SHROUD
LMV-11SB	2" IPS	2" IPS	4" IPS
LMV-13SB	2" IPS	3" IPS	4" IPS
LMV-22SB	2.5" IPS	2.5" IPS	4" IPS
LMV-23SB	2.5" IPS	3" IPS	4" IPS
LMV-33SB	3" IPS	3" IPS	6" IPS
LMV-44SB	4" IPS	4" IPS	6" IPS
LMV-66SB	6" IPS	6" IPS	6" IPS
LMV-88SB	8" IPS	8" IPS	6" IPS
LMV-1010SB	10" IPS	10" IPS	6" IPS
LMV-1212SB	12" IPS	12" IPS	6" IPS

LMV-SB (DIN) SERIES (SPIGOT X BELL)			
MODEL	SPIGOT	BELL	SHROUD
DLMV-99SB	90MM	90MM	6" IPS
DLMV-911SB	90MM	110MM	6" IPS
DLMV-1111SB	110MM	110MM	6" IPS
DLMV-1616SB	160MM	160MM	6" IPS
DLMV-2020SB	200MM	200MM	6" IPS
DLMV-2525SB	250MM	250MM	6" IPS
DLMV-3232SB	315MM	315MM	6" IPS



LMV-BB (IPS) SERIES (BELL X BELL)			
MODEL	SPIGOT	BELL	SHROUD
LMV-11BB	2" IPS	2" IPS	4" IPS
LMV-22BB	2.5" IPS	2.5" IPS	4" IPS
LMV-33BB	3" IPS	3" IPS	6" IPS
LMV-34BB	3" IPS	4" IPS	6" IPS
LMV-44BB	4" IPS	4" IPS	6" IPS
LMV-66BB	6" IPS	6" IPS	6" IPS
LMV-88BB	8" IPS	8" IPS	6" IPS
LMV-1010BB	10" IPS	10" IPS	6" IPS
LMV-1212BB	12" IPS	12" IPS	6" IPS
LMV-1414BB	14" DIPS	14" DIPS	6" IPS
LMV-1616BB	16" DIPS	16" DIPS	6" IPS

LMV-BB (DIN) SERIES (BELL X BELL)			
MODEL	SPIGOT	BELL	SHROUD
DLMV-99BB	90MM	90MM	6" IPS
DLMV-911BB	90MM	110MM	6" IPS
DLMV-1111BB	110MM	110MM	6" IPS
DLMV-1616BB	160MM	160MM	6" IPS
DLMV-2020BB	200MM	200MM	6" IPS
DLMV-2525BB	250MM	250MM	6" IPS
DLMV-3232BB	315MM	315MM	6" IPS

PLEASE NOTE: JOINT RESTRAINTS ARE SOLD SEPERATELY FOR 14" & 16" MODELS

Leemco has a large variety of Valve Accessories...
Please refer to our IPS and DIN Price Lists for available Models and Sizes.

Quality Construction and Innovative Design...

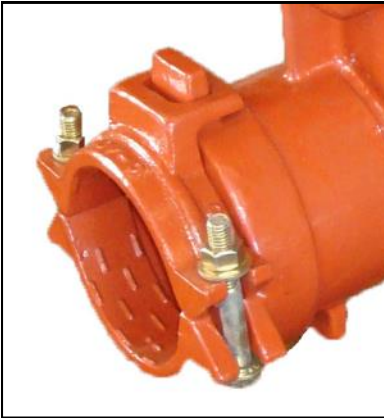


LMV-SB Series Gate Valves...

The Spigot x Bell version is designed for the spigot end to insert into a Leemco gasket tee as shown in picture. The valve links restrain to the ears on the gasket tee for a secure connection. The gasket bell end has self-restrained clamps that fasten to plastic pipe. All connections are mechanically held and there is no need for thrust blocks. Installation is quick and reliable which saves valuable time and labor.

LMV-BB Series Valves...

The Bell x Bell version provides in-line isolation where the location is not near a mainline ductile iron fitting. Both bell ends have the proprietary Leemco self-restrained clamps that securely fasten the pipe to the valve.



Deep Bell, Self-Restrained Valve Outlet...

The deep bell, self-restrained, gasket outlet has blunt cast serrations which are specifically designed not to damage the plastic pipe surface. The Leemco gasket is made of high grade EPDM rubber and unique "U-CUP" Design. Gasket ribbed segments assure compression against side walls to seal under low and high pressures.

Durable Ductile Iron Body...

Valve body and outlet clamp are made of durable ductile iron and have a fused epoxy finish inside and out, to withstand corrosive soils and acidic water created by chemical injector and sulfur burner systems.

Quality Valve Mechanism...

Non-rising bronze stem is sealed with a lifetime lubricated high grade EPDM rubber O-ring. Resilient wedge is made of ductile iron with EPDM rubber seal for drip tight shut-off.



Top Valve Shroud...

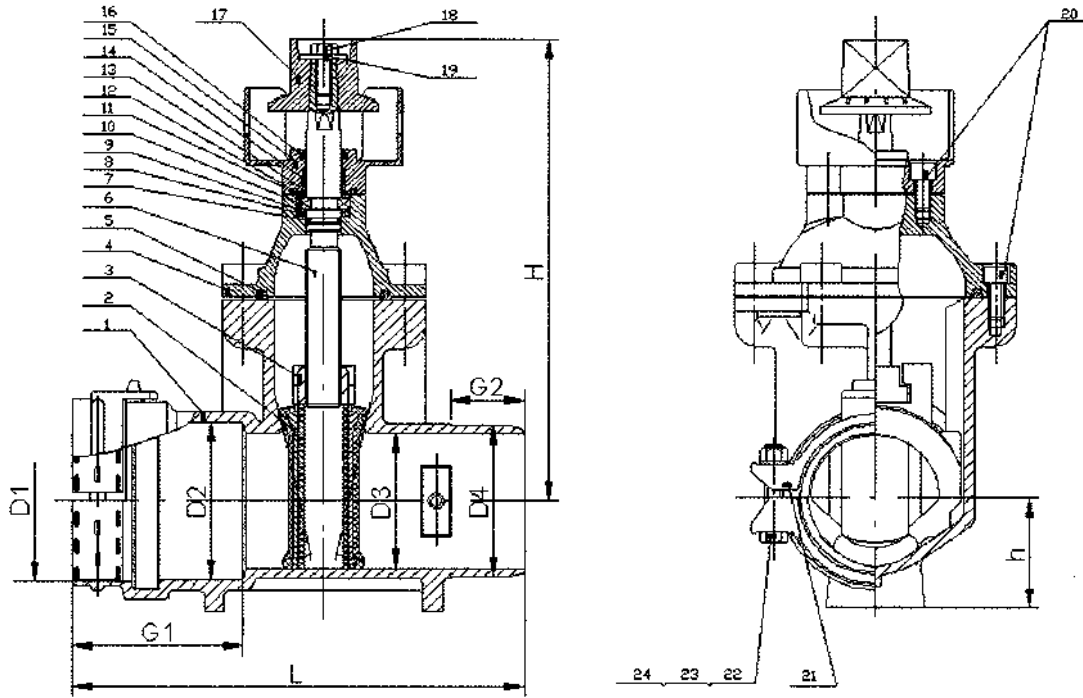
Slotted skirt atop the valve is designed for IPS sleeve to protect 2" operating nut from dirt and debris. Two opposing holes in the shroud can be used to lift and place valve assembly into trench.

Bottom Valve Feet...

Feet on bottom of valve are designed to keep valve upright on flat surfaces for ease of warehouse or container storage.



Note: 304 & 316 stainless steel hardware is available for an additional charge. Please contact your Leemco Representative for pricing.



PART	SPECIFICATION	PART	SPECIFICATION
1 Valve Body	Ductile Iron, ASTM A-546	13 O-Ring	EPDM, ASTM D 2000
2 Resilient Wedge	Ductile Iron, ASTM A-546 EPDM	14 Spacer	Nylon 1010
3 Stem (Wedge) Nut	Bronze ASTM B 584	15 Gland Flange	Ductile Iron, ASTM A-546
4 Bonnet	Ductile Iron, ASTM A-546	16 Gasket	EPDM, ASTM D 2000
5 Bonnet Gasket	EPDM, ASTM D 2000	17 Square Operating Nut	Ductile Iron, ASTM A-546
6 Stem	Stainless Steel ASTM 276	18 Hex Head Bolts	ASTM A 574M Zinc Plated
7 Stem O-Ring	EPDM, ASTM D 2000	19 Washer	ASTM A 574M Zinc Plated
8 Lower Thrust Washer	Nylon 1010	20 Hex Head Bolts	ASTM A 574M Zinc Plated
9 Flat Washer	EPDM, ASTM D 2000	21 Hex Head Bolts	ASTM A 574M Zinc Plated
10 Split Ring	Stainless Steel ASTM 276	22 Clamp	Ductile Iron, ASTM A-546
11 Flat Washer	Stainless Steel ASTM 276	23 Hex Head Bolts	ASTM A 574M Zinc Plated
12 O-Ring	EPDM, ASTM D 2000	24 Nut	Stainless Steel ASTM 276
		25 Flat Washer	Stainless Steel ASTM 276

SIZE	SPIGOT X BELL		BELL X BELL		DIMENSIONS (INCHES)							
	MODEL	L	MODEL	L	H	h	G1	G2	D1	D2	D3	D4
2 x 2	LMV-11SB	11.1	LMV-11BB	11.7	10.2	1.9	3.0	2.4	2.6	2.6	2.0	2.4
2 x 3	LMV-13SB	12.0			9.8	2.8	3.3	2.4	3.7	3.7	2.0	2.4
2.5 x 2.5	LMV-22SB	11.8	LMV-22BB	11.8	11.0	2.3	3.0	2.6	3.1	3.1	2.6	2.9
2.5 x 3	LMV-23SB	12.2			11.0	2.8	3.3	2.6	3.7	3.7	2.6	2.9
3 x 3	LMV-33SB & DLMV-99SB	12.9	LMV-33BB & DLMV-99BB	19.1	12.9	2.8	4.3	2.8	3.7	3.5	3.1	3.5
3 x 4	LMV-34SB & DLMV-911SB	14.5	LMV-34BB & DLMV-911BB	22.5	12.9	3.1	5.1	2.8	4.8	3.5	3.1	3.5
4 x 4	LMV-44SB & DLMV-1111SB	14.2	LMV-44BB & DLMV-1111BB	22.0	13.8	3.1	5.1	3.0	4.8	4.5	3.9	4.5
6 x 6	LMV-66SB & DLMV-1616SB	18.1	LMV-66BB & DLMV-1616BB	27.1	17.4	4.3	6.2	3.5	6.9	6.6	5.9	6.6
8 x 8	LMV-88SB & DLMV-2020SB	20.8	LMV-88BB & DLMV-2020BB	30.7	20.7	5.5	7.2	3.9	9.1	8.6	7.9	8.6
10 x 10	LMV-1010SB & DLMV-2525SB	22.7	LMV-1010BB & DLMV-2525BB	34.7	24.9	6.9	7.7	4.3	11.1	10.7	9.8	10.7
12 x 12	LMV-1212SB & DLMV-3232SB	25.0	LMV-1212BB & DLMV-3232BB	37.3	27.5	7.9	8.6	4.7	13.1	12.7	11.8	12.7

LMV Valve Accessories & Parts... (Refer to our IPS and DIN Price Lists for available Models & Sizes)



L90 & DL90 Adapters

- L90-31SB... 3" IPS Spigot x 2" Bell Outlet
- L90-32SB... 3" IPS Spigot x 2.5" Bell Outlet
- L90-33SB... 3" IPS Spigot x 3" Bell Outlet
- DL90-33SB... 90MM DIN Spigot x 90MM Bell Outlet



Picture of L90 Adapter installed into Leemco tee, LMV-SB Valve is installed into L90 Adapter. Valve can rotate 360 degrees to desired position.



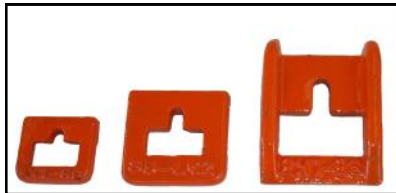
L90 & DL90 Adapters

- L90-31SB... 3" IPS Spigot x 2" Bell Outlet
- L90-32SB... 3" IPS Spigot x 2.5" Bell Outlet
- L90-33SB... 3" IPS Spigot x 3" Bell Outlet
- DL90-33SB... 90MM DIN Spigot x 90MM Bell Outlet



Extensions

- LX3-6... 6" High
- LX3-12... 12" High



LMV-Link

- SB-LK1... Link for 2" - 2.5" Valves
- SB-LK2... Link for 3" - 8" Valves
- SB-LK3... Link for 10" - 12" Valves



Bell End Outlet Clamp

- C-200C... Outlet clamp for 2" Valve
- C-250C... Outlet clamp for 2.5" Valve
- C-300C... Outlet clamp for 3" Valve



Bell End Outlet Clamp

- C-400... Outlet clamp for 4" Valve
- C-600... Outlet clamp for 6" Valve
- C-800... Outlet clamp for 8" Valve
- C-1000... Outlet clamp for 10" Valve
- C-1200... Outlet clamp for 12" Valve

MATERIAL:
PRESSURE RATING:
EPOXY COATING:
RESTRAINT HARDWARE:
GASKETS:
INSTALLATION:

**Class 350 Ductile Iron per ASTM A-536, Grade 65-45-12, AWWA C-515
 350 PSI
 ANSI/AWWA C116/A21.16-09, NSF 61 & CSA Z245.20-98, 12-14 MIL
 Low Alloy Steel ANSI/AWWA C11/A21.11, Optional 304 & 316 stainless
 High grade EPDM rubber ANSI/AWWA C111/A21.11, Rib-Enforced design
 Per IPS & DIN Pipe Standards**

Specification:

All mainline valves shall be resilient wedge and conform to AWWA C153 standards. Material shall be ductile iron per ASTM A-536, Grade 65-45-12. Epoxy coating on all interior and exterior surfaces shall be fusion bonded epoxy, 12-14 mil thickness. The epoxy coating shall pass 90-Day immersion tests per CSA Z245.20-98. Gate valves shall be available in spigot x bell and bell x bell models to mechanically connect to fittings or plastic pipe. Valve bell end shall be deep bell, gasket and equipped with cast joint restraint clamps to securely fasten to plastic pipe. Restraints shall have blunt cast serrations. Machined threaded restraints will not be allowed. Valves shall have a shroud around the 2" operating nut to accept IPS PVC sleeve which provides dirt-free access to actuate the valve. All mainline valves shall be as manufactured by Leemco, Inc., U.S.A.



Leemco, Inc.
 360 S. Mount Vernon
 Colton, CA. 92324
 Ph: (909) 422-0088 Fx: (909) 422-0086
 Web: www.leemco.com